

# Delahenty Machinery

14 Parkhurst Drive, Knoxfield, 3180

Phone: 03 9800 1544

Fax: 03 9800 1344

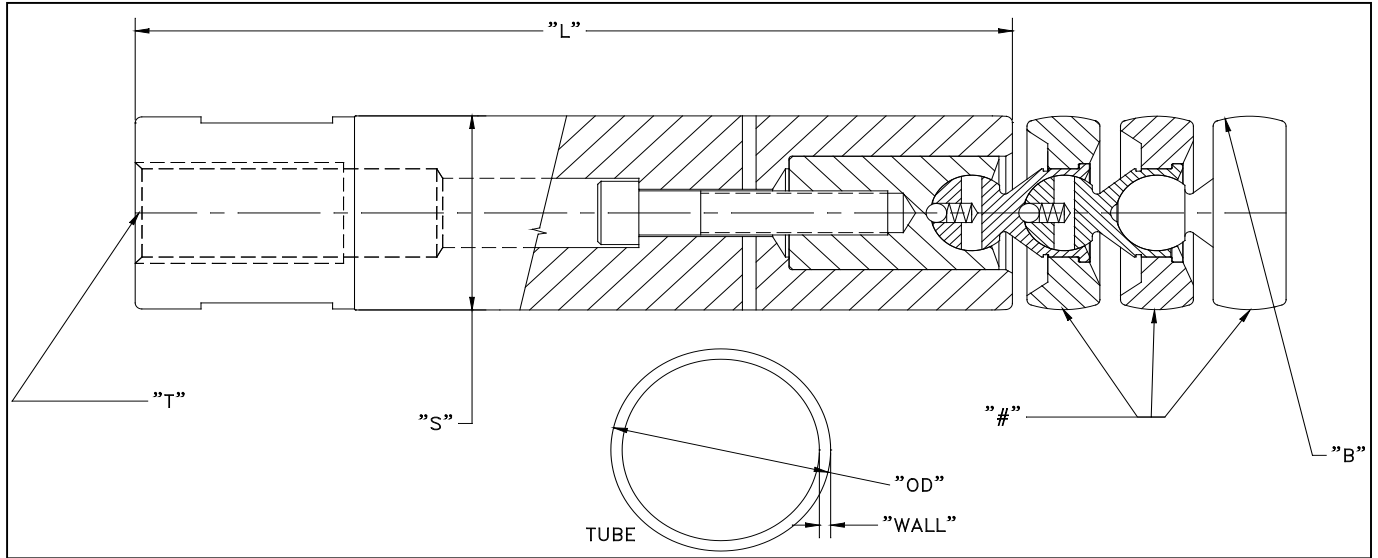
email: sales@delahenty.com.au

## MANDREL ORDER FORM

Company Name \_\_\_\_\_

Purchase Order# \_\_\_\_\_

Job# \_\_\_\_\_



**WHEN ORDERING MANDREL, PLEASE SPECIFY:**

Mountings:\*\* Thread (T) \_\_\_\_\_  
 Length (L) \_\_\_\_\_  
 Material of tube \_\_\_\_\_

Shank size: Shank (S) \_\_\_\_\_ **OR** Tube size: OD (OD) \_\_\_\_\_  
 Ball size: Ball (B) \_\_\_\_\_ Wall (WALL) \_\_\_\_\_

# of balls: Balls (#) \_\_\_\_\_ **OR** Bending info: OD (OD) \_\_\_\_\_  
 Wall (WALL) \_\_\_\_\_  
 CLR (CLR) \_\_\_\_\_

\*\* read table for min lengths and thread sizes available.

**NOTES:**

Link Size	METRIC TUBE OD mm		STANDARD THREAD "T"	STANDARD LENGTH "L" mm	MINIMUM LENGTH "L" mm
	min	max			
1	6.5	7.9	M4x0.7	38	21
2	8.0	12.5	M4x0.7 M5x0.8	75	29
3	12.6	15.8	M8x1.25	100	34
4	15.9	18.9	M8x1.25 M10x1.5	100	41
5	19.0	23.9	M10x1.5 M12x1.75	150	50
6	24.0	28.4	M16x2.0 M20x2.5	200	61
7	28.5	37.5	M16x2.0 M20x2.5	200	68
8	38.0	43.5	M18x2.0 M20x2.5	200	78
9	44.0	53.0	M20x2.5 M24x3.0	200	92
10	53.5	66.0	M20x2.5 M30x3.5	200	100
11	66.5	85.0	M30x3.5 M36x4.0	300	123
12	85.5	117.0	M30x3.5 M42	300	138
13	117.5	155.0	M36x4.0 M42	350	160