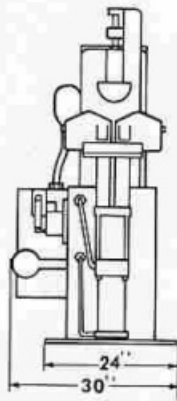
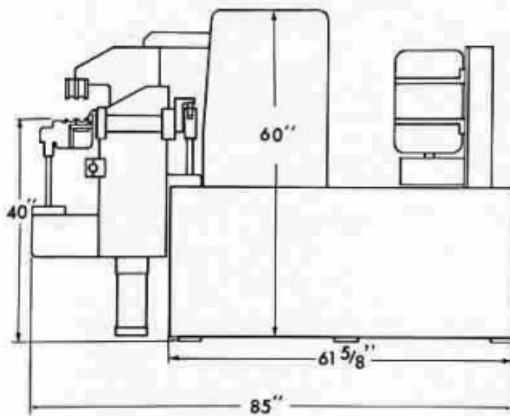


Use **Model 5-T** for additional versatility and capacity



FRONT VIEW

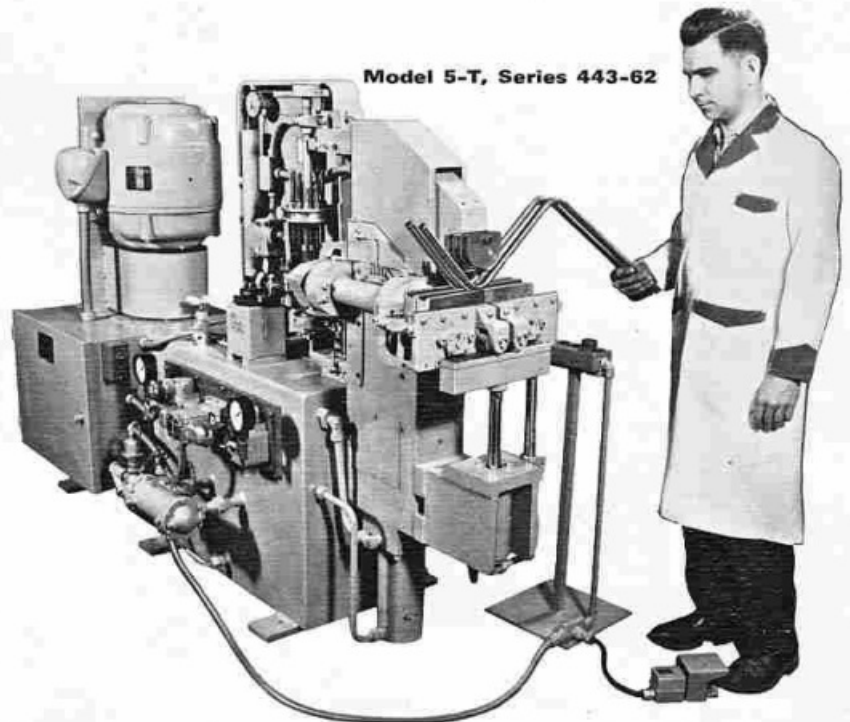


SIDE VIEW

SPECIFICATIONS, MODEL 5-T, SERIES 443-62

Production capacity, bends per hour, approx. (two tubes per stroke)	2,000
Maximum bend angle, degrees	100
Maximum centerline radius, 90° bend or less, in.	4 1/2
Minimum centerline radius, in., approx.	2 to 3 X tube dia.
Horsepower, motor	.20
Over-all height, in.	.60
Height to dies, in.	.40
Floor space required, including overhang, less gauges, in.	30 X 85
Net weight, lbs., approx.	3,100
Shipping weight, lbs., approx.	3,300

For capacity of presses in maximum tube size, see table on page 10. Power supply: Presses can be wired for operation on any 3-phase electrical power supply. Specify voltage, phase and frequency.

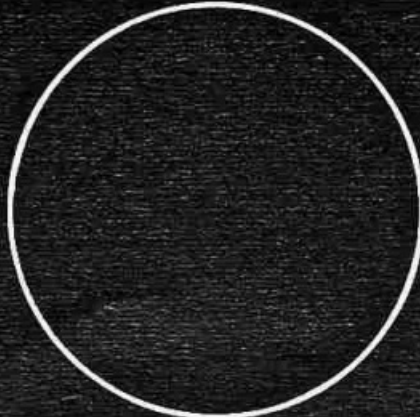
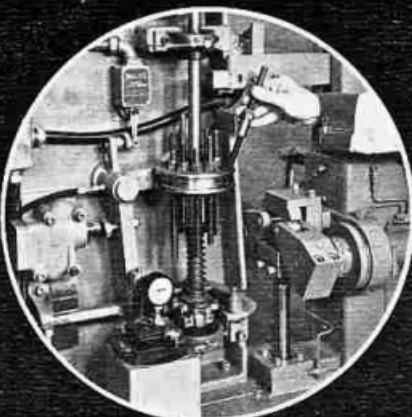


Two bends per stroke can be made on the Pines Model 5-T bending press, providing for a production capacity of up to 2,000 bends per hour. This two-at-a-time production feature is ideal for volume manufacture of U frames and side frames for furniture, toys, garden equipment and similar items. (A "U" frame has two bends in the same direction and the same plane, and a side, or "Z" frame, has two bends in opposite directions, and in approximately the same plane.)

The Model 5-T press bends two 1" O.D. by .065" wall steel tubes or the equivalent, at a rate of about 1,000 strokes an hour.

Front-mounted wing die cushion cylinder of the Model 5-T supplements the rear cushioning cylinder to provide the additional wing die support needed for bending two tubes at once. In other respects, the Model 5-T press closely resembles the Model 3-T. Single tube dies can be used, and the front cylinder can be dismantled if desired to match the capabilities of the Model 3-T for progressive bending of single tubes.

Automatic angle-of-bend selector turret permits programming series of as many as ten different bends. Simple tooling with dual tube grooves turns out strong, smooth bends of as much as 100° in steel, aluminum and other metals. The fully hydraulic operation of the press, which is durable, reliable and easy to adjust and service, is activated by a movable foot pedal.



- TYPICAL 3-T AND 5-T APPLICATIONS**
- Dinette & patio furniture
 - Bicycles, motorcycles
 - Lawn mowers, sprinklers
 - Golf carts, snowmobiles
 - Air conditioner, hydraulic, air lines
 - Office & institutional seating
 - Ladders & grab rails
 - TV & display stands
 - Shopping carts, freight dollies
 - Automotive seating, engine breathers & fillers
 - Children's furniture & wheel goods