

Swade-Sin™

MACHINE TOOLS EST. 1942

11B & 11BH Tube Bending Machines

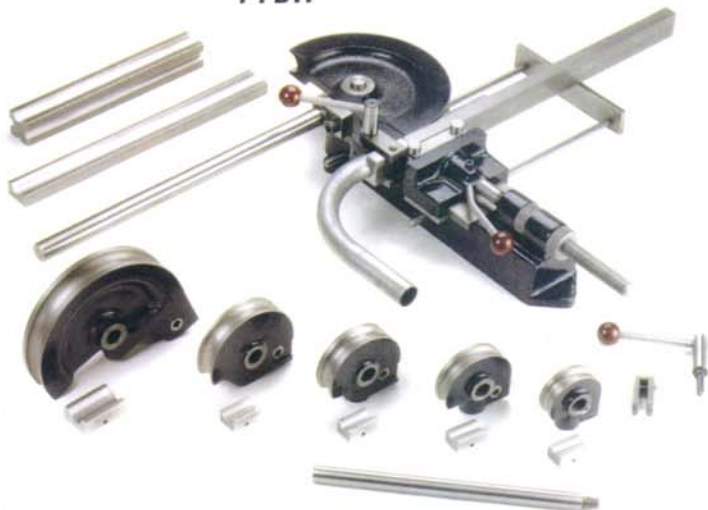
TYPE - UNIVERSAL DRAW BENDER • MODELS - 11B & 11BH

- Engineered from the highest quality materials
- Simple set up and operation
- Bench mounted
- Hand operated
- Guaranteed workmanship
- After sales tooling service

Models 11B and 11BH Tube Bending Machines are Universal Draw Bender type designed to form precision bends using mild steel, stainless steel, or non-ferrous materials in either tube or section forms.

Features include slide block pressure applied by cam action clamp, tube clamping by quick action cam lock giving ease and speed of operation plus rapid setting-up times for short run production.

11BH



11B



Simple bends without use of mandrel or slide block can be performed with the use of special slide block jaw attachment.

The standard machines can be fitted to a mandrel bed attachment and supplied with special tooling for bending very thin wall tubes or bends on small radii, see over.



Swade-Sin™

MACHINE TOOLS EST. 1942

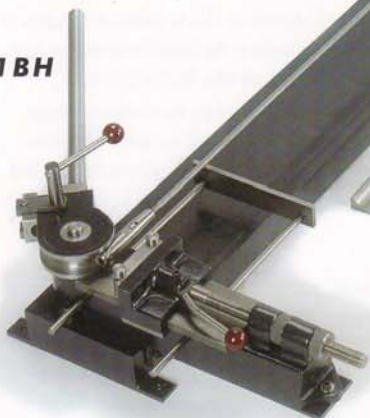
Tube Bending Machine

TYPE - UNIVERSAL BENDER WITH MANDREL BED ATTACHMENT • MODELS - 11BH & 11B

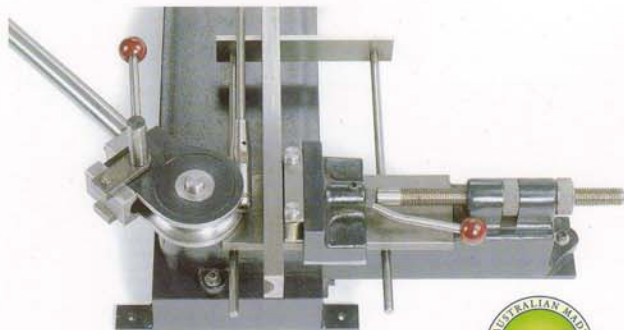
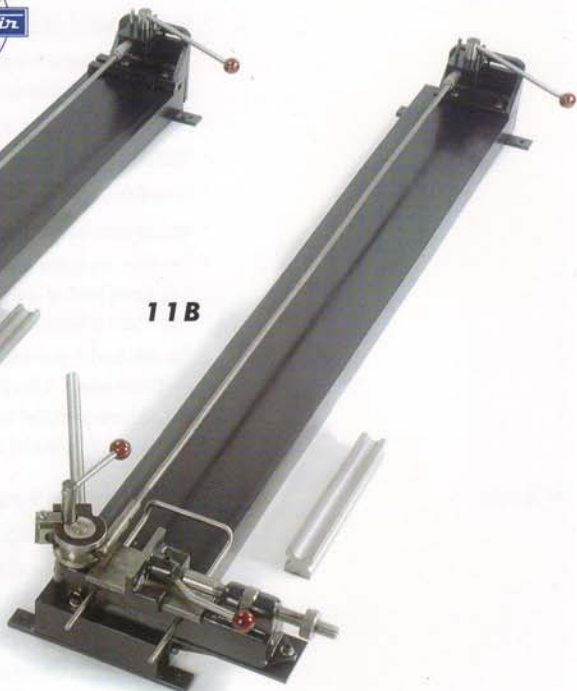
- Engineered from the highest quality materials
- Simple set up and operation
- Bench mounted
- Hand operated
- Guaranteed workmanship
- After sales tooling service



11BH



11B



MANDREL BED

An accessory to the 11B & 11BH for high quality bending.

It is used for thin wall tubes or bends of below standard radius, where the use of a mandrel is necessary. The mandrel bed includes a mandrel extractor and mandrel rod.

A powered mandrel extractor is also available on request. The standard bed length is 1.75m, beds of any length can be built to customer specifications.



Swade-Sin™

MACHINE TOOLS EST. 1942

11B & 11BH Tube Bending Machines

OPTIONAL ATTACHMENTS

STANDS

11B: Model No 11B ST
11BH: Model No 11BH-ST



ANGLE INDICATOR

11B: Model No 11B-A180
11BH: Model No 11BH-A180



SPECIAL TOOLING

Designed and Manufactured to order



Distributed By:

dm DELAHENTY MACHINERY PTY. LTD.
Machine Tool Merchants

14 Parkhurst Drive Knoxfield Victoria Australia 3180
Tel: (03) 9800 1544 Fax: (03) 9800 1344
www.delahenty.com.au

0118